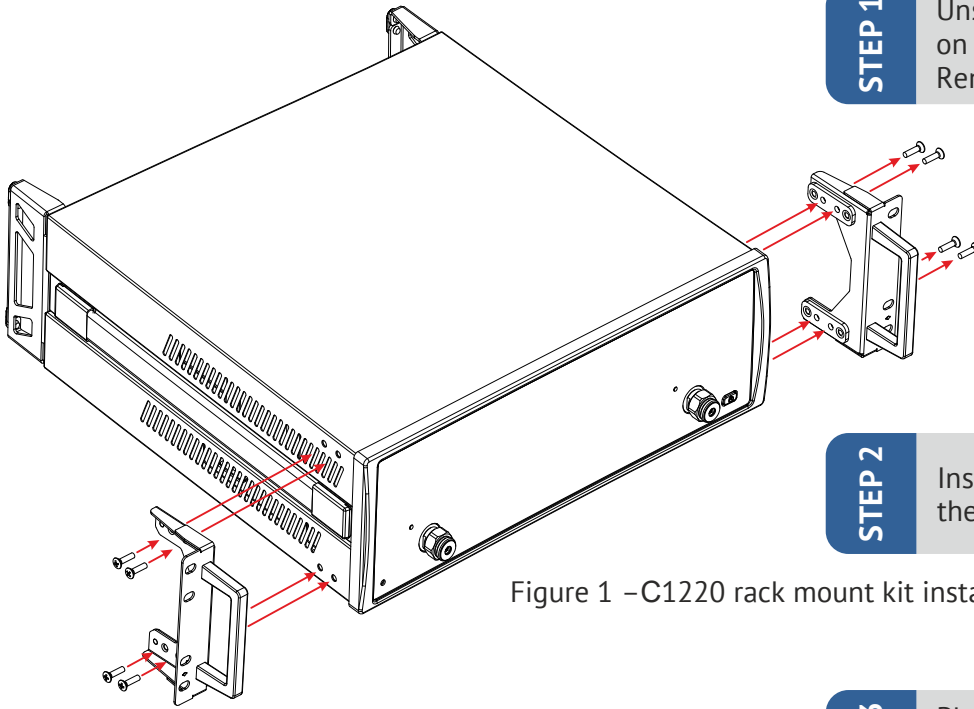


# Rack Mount Kit C1220 Assembly Instructions

- VNA CXX20
- Rack Mount Kit 1220
- Phillips Screwdriver



**STEP 1**

Unscrew 8 pcs. M4 × 16 screws on the front handles on the device case. Remove the handles.

**STEP 2**

Install the rack mount kit and fix with the same screws according to Figure 1.

Figure 1 – C1220 rack mount kit installing

**STEP 3**

Place the device with the rack mount kit installed on a shelf in a 19" rack and attach it according to Figure 2.

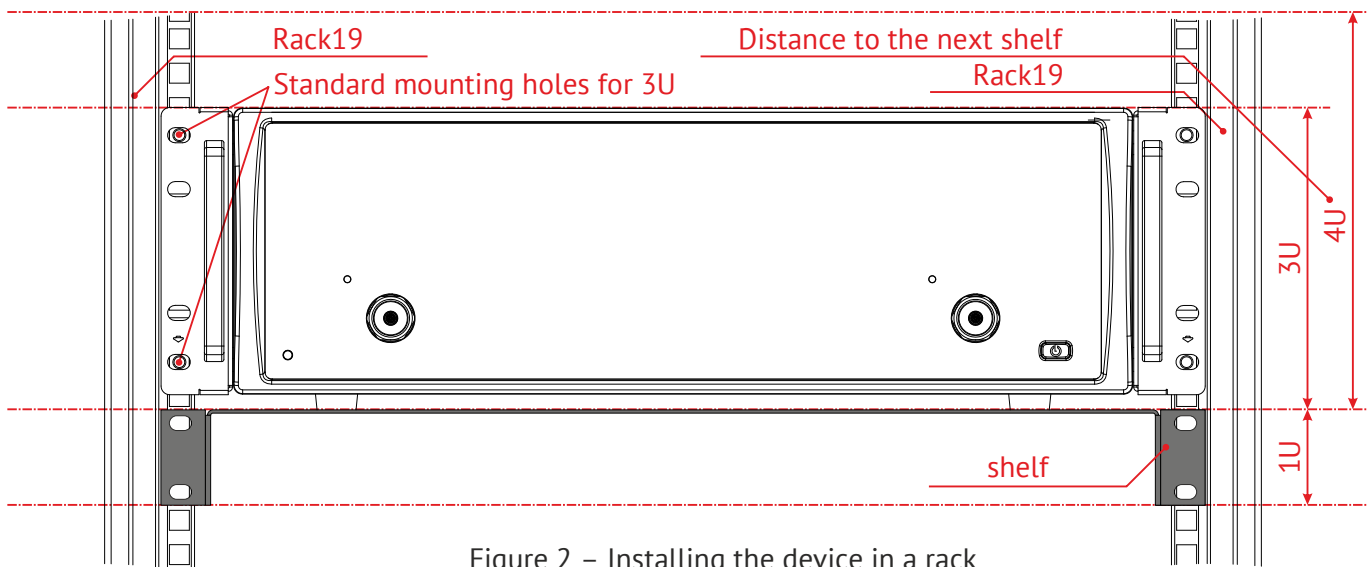


Figure 2 – Installing the device in a rack

TM0031 I/O

