

## STQ-TL-RW-S10-M1

### Wave-Glide™ Rail Positioning System

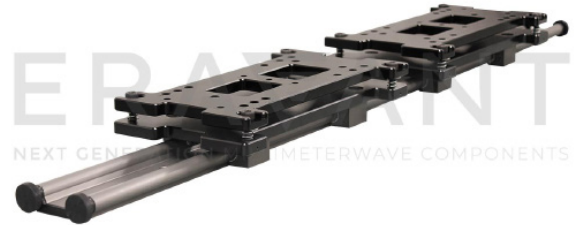
**Model STQ-TL-RW-S10-M1** is a patent pending rail system to enhance the millimeterwave VNA testing experience. Trademarked as Wave-Glide™, it is a Novel Apparatus for accurate, reliable and rapid testing when working with the VNA extenders and Eravant patent pending and trademarked Proxi-Flange™ contactless flange.

Proxi-Flange™ contactless flange is the key invention enabling Wave-Glide™ Rail to perform millimeterwave testing using VNA extenders. Proxi-Flange™ contactless flange is offered to cover the frequency range of 18 GHz to 220 GHz in waveguide bands from WR-42 to WR-05.

The rail setup eliminates the inter-connecting waveguides, avoids tedious and time-consuming alignment efforts, and increases the productivity. The Wave-Glide™ is constructed by using a set of linear rails together with mounting plates for connecting various VNA manufacturers' extenders. The Wave-Glide™ is compatible with the extender modules listed on second page. Compatibility can be extended to other manufacturer's frequency extender modules by customizing mounting plates.

### Mechanical Specifications

Parameter	Specification
Rail Length	41" (104 cm)
Rail Material	Aluminum
Rail Finish	Grey Anodized
Base Plate Material	Aluminum
Base Plate Finish	Black Anodized
Weight	14.4 lb
Outline	TL-RS-M1



#### ECCN

- EAR99

#### FEATURES

- High Durability and Reliability
- Light Weight
- Low Setup Time

#### APPLICATIONS

- Millimeterwave VNA Testing
- Linear Measurements
- Volume Production

#### SUPPLEMENTAL DETAILS

- App Note: [Wave-Glide™ Rail System](#)
- [VNA Frequency Extenders](#)
- [Proxi-Flange™ Contactless Flange](#)
- [Waveguide Calibration Kits](#)
- [Waveguide Quick Connects](#)
- [Wave-Glide™ Assembly Instructions](#)



## STQ-TL-RW-S10-M1

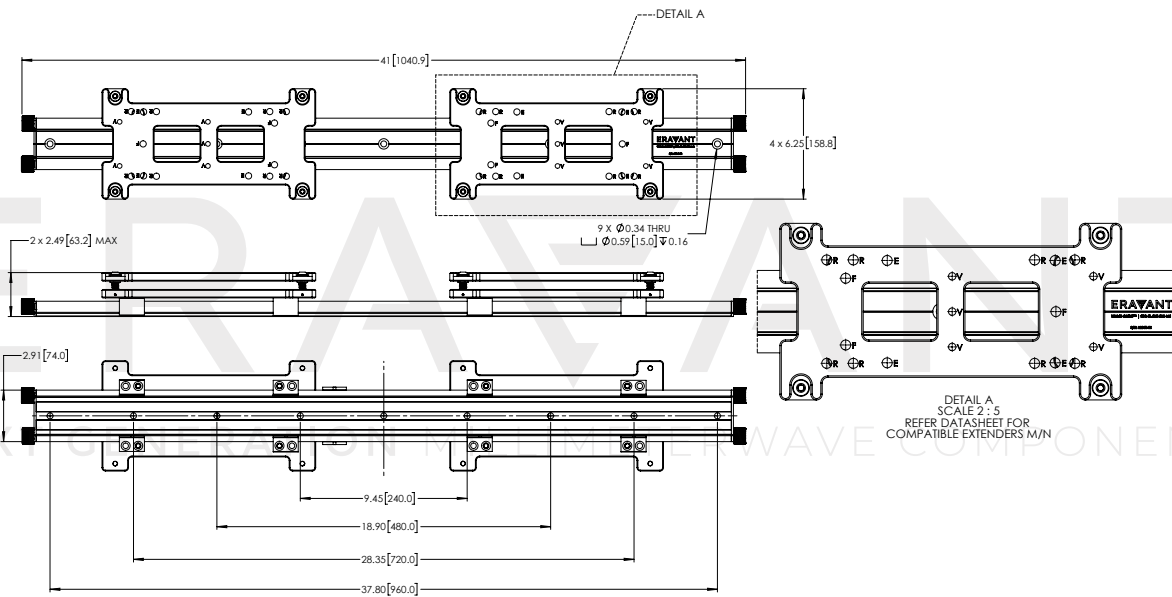
### Compatible VNA Extender Models

Item	Specification	
Eravant (E)	50-75	STO-15203-U6
	60-90	STO-12203-U6
	75-110	STO-10203-U6
	90-140	STO-08203-U6
	110-170	STO-06203-U6
	140-220	STO-05203-U6
	Rohde and Schwarz (R)	50 to 75
53 to 78		ZC78
60 to 90		ZC90, ZC90E, RPG ZTXR90
75 to 110		ZC110
78 to 118		ZC118
90 to 140		ZC140, RPG ZTXR140
110 to 170		ZC170, RPG ZTXR170
140 to 220		ZC220, RPG ZTXR220
170 to 260		ZC260, RPG ZTXR260
220 to 330		ZC330, RPG ZTXR330
260 to 400		ZC400, RPG ZTXR400
325 to 500		ZC500, RPG ZTXR500
500 to 750		ZC750, RPG ZTXR750
750 to 1100	RPG ZTXR1100	
Virginia Diodes (V)	26-40	WR-28 VNAX (TxRx and TxRef)
	40-60	WR-19 VNAX (TxRx and TxRef)
	50-75	WR-15 VNAX (TxRx and TxRef)
	60-90	WR-12 VNAX (TxRx and TxRef)
	75-110	WR-10 VNAX (TxRx and TxRef)
	90-140	WR-8 VNAX (TxRx and TxRef)
	110-170	WR-6.5 VNAX (TxRx and TxRef)
	140-220	WR-5.1 VNAX (TxRx and TxRef)
	170-260	WR-4.3 VNAX (TxRx and TxRef)
	220-330	WR-3.4 VNAX (TxRx and TxRef)
	260-700	WR-710 VNAX (TxRx and TxRef)
	330-500	WR-570 VNAX (TxRx and TxRef)
500-750	WR-380 VNAX (TxRx and TxRef)	
Farran (F)	50-75	FEV-15-TR-0006
	60-90	FEV-12-TR-0006
	75-110	FEV-10-TR-0006

## STQ-TL-RW-S10-M1

### Mechanical Outline

Unless otherwise specified, all dimensions are in inches [millimeters]



### NOTE

- The Wave-Glide™ is a trademarked and patent pending product of Eravant.
- Packaging in a durable package case is available upon request.
- Eravant reserves the right to change the information presented without notice.

## STQ-TL-RW-S10-M1

### APPENDIX: ASSEMBLED SETUP USING ERAVANT STO SERIES VNA EXTENDERS

